



# Stainless Turbines GTRF

Pneumatic turbine vibrators made of stainless-steel.

## Properties

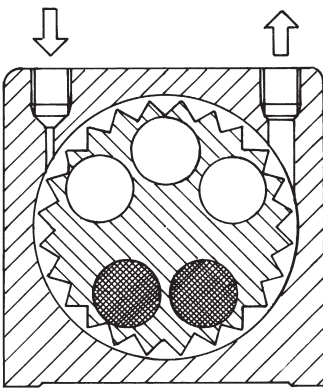
- Lubrication-free
- Low noise level
- Strong vibration by means of high speed and eccentric working torques
- Rated frequency 14'000 – 37'000 rpm
- Centrifugal force 750 – 5'700 N
- Continuously variable
- Can be used up to 150 °C
- Resistant to extreme environmental conditions

## Field of application

- For foodstuffs and pharmaceuticals, complies with FDA specifications
- Emptying of bunkers
- Screen filter
- Vibrating tables
- Preventing adhesions in pipelines and silos
- Transporting of fine powders
- Moving of bulk materials

## Construction

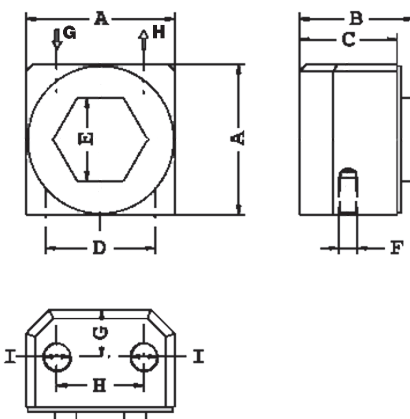
- Vibration from the centrifugal force of positive and negative imbalanced torques in the rotor.
- Rotor on two pre-lubricated and enclosed ball bearings arranged in pairs.
- Made from stainless-steel 316 and lubricated with special grease for long life.



Housing made of stainless-steel  
Turbine wheel made of surface-hardened aluminium

Technical data (in detail and with PSI, LBS, CF: [www.findeva.com](http://www.findeva.com))

Model	Vibrations 1000 rpm		Centrifugal force N		Air consumption l/min	
	2 bars	6 bars	2 bars	6 bars	2 bars	6 bars
GT-10-RF	27.0	37.0	750	2100	46	112
GT-16-RF	20.0	27.5	1700	3700	120	290
GT-25-RF	14.0	19.5	2500	5700	185	455



Sizes and weights in mm and g (more details and including inches at [www.findeva.com](http://www.findeva.com))

Model	A	Width	C	D	E	F	G / H	Weight
GT-10-RF	49	38	32	36	27	M 6	1/8"	525
GT-16-RF	64	45	39	48	36	M 8	1/4"	1002
GT-25-RF	78	55	49	60	50	M 10	1/4"	1807