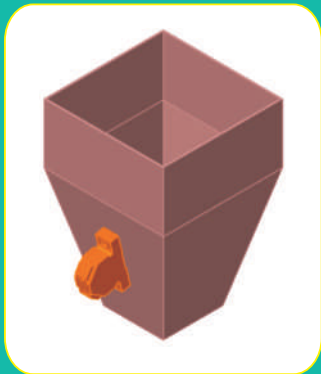


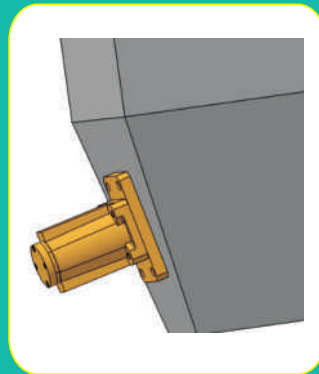
# TURBO POWER VIBRATORS



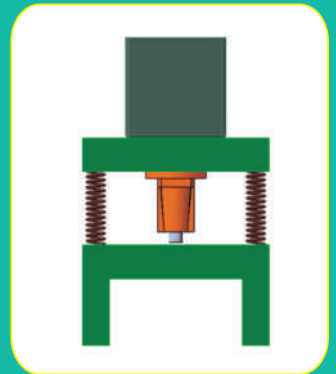
TBV ON HOPPERS



STV ON CHUTES



TPK ON ESP



TPO ON COMPACTION  
TABLES

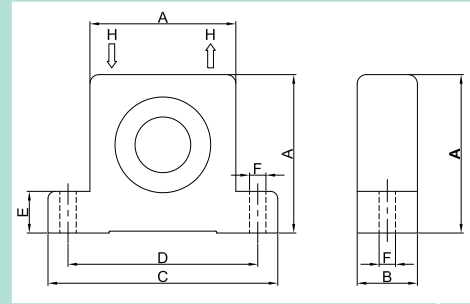
IDEAS THAT WORK

*techno talent*

## TURBO BALL VIBRATORS



- ▶ Centrifugal force is generated by whirling of spherical mass at high speed on a toughened and super finished track using compressed air.
- ▶ Works with industrial quality of compressed air and in dirty industrial conditions. Truly a fit and forget equipment.
- ▶ Finds application in flow promotion, screening, compacting.
- ▶ Noise level of 80db. Low starting pressure.
- ▶ Used for flame proof / explosive areas & for submerged duty.
- ▶ Highest centrifugal force to self mass.
- ▶ Available in various sizes.

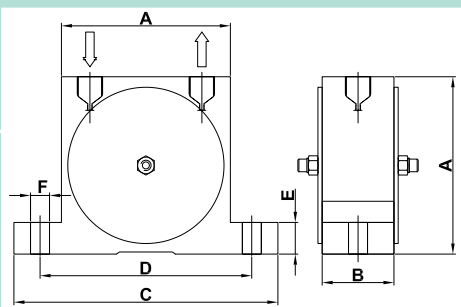


### DIMENSION AND PERFORMANCE DATA

MODEL	A	B	C	D	E	F DIA	BSP	CENTRIFUGAL FORCE (NEWTON)	FREQUENCY (VPM)	FREE AIR (LPM)
TBV-18	60	32	95	75	13	9	1/4"	850	14200	155
TBV-25	88	37	125	100	20	11	1/4"	1800	10500	230
TBV-38	127	54	180	150	32	14	3/8"	3650	8200	380

NOTE: Wide range of Swiss make Findeva ball vibrators are also offered. Please request for the K-series catalog.

## SILENT TURBINE VIBRATORS



- ▶ Improved version of the ball vibrators, works by the rotation of an unbalanced mass on a shaft, using compressed air. Provides a stable vibration akin to an electric motor.
- ▶ Low starting pressure not affected by orientation of vibrator.
- ▶ Requires clean compressed air.
- ▶ Virtually noise less (less than 65 db) can be used in laboratory environment also.
- ▶ Can be used wherever ball vibrators are used.
- ▶ Available in various sizes.

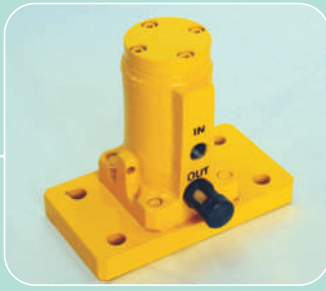


### DIMENSION AND PERFORMANCE DATA

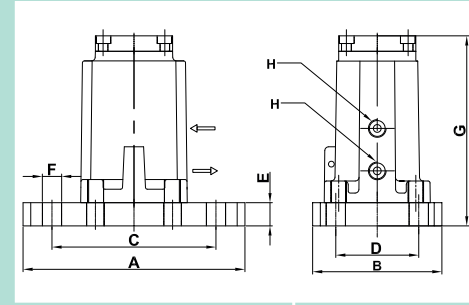
MODEL	A	B	C	D	E	F DIA	BSP	CENTRIFUGAL FORCE (NEWTON)	FREQUENCY (VPM)	FREE AIR (LPM)
STV-28	60	32	95	74	12	10	1/4"	1200	9800	330
STV-29	80	34	125	100	15	10	1/4"	2000	8500	375

NOTE: A wide range of Swiss make Findeva Golden Turbine vibrators are also offered. Please request for the GT series catalog.

## PNEUMATIC PISTON KNOCKERS



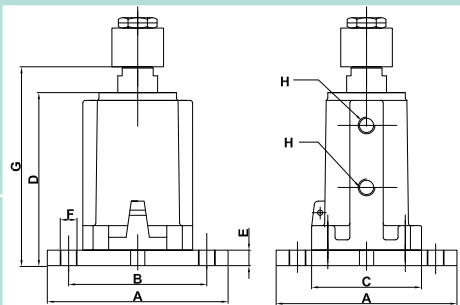
- ▶ These are linear motion equipment.
- ▶ In knockers the force is generated by hammering action of piston on hardened plate. Springless design . Low maintenance.
- ▶ Can be used for screens / compacting tables / hopper evacuation.
- ▶ Requires clean lubricated compressed air.
- ▶ Available in various sizes.



### DIMENSION AND PERFORMANCE DATA

MODEL	A	B	C	D	E	F	G	H BSP	IMPACT FORCE (NEWTON)	FREQUENCY (VPM)	FREE AIR (LPM)
TPK-20	115	67	85	43	12	8.5	99	1/8"	3540	5000	85
TPK-31	150	85	123	60	16	13	148	1/4"	13150	3700	170
TPK-45	135	135	134.4	95	16	M20	216	3/8"	32200	2050	250

## TURBOPOWER OSCILLATORS



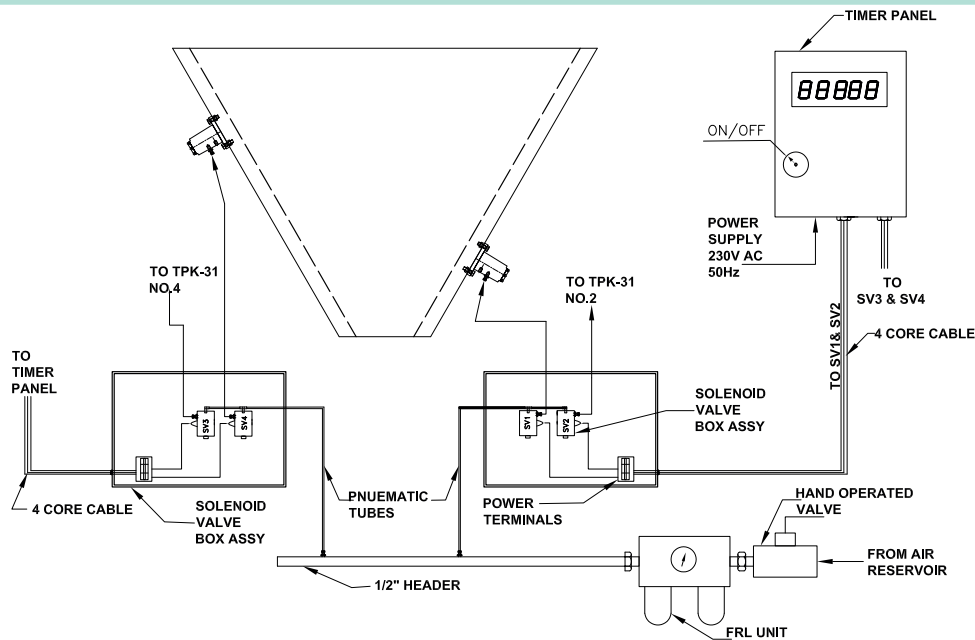
- ▶ These are linear motion equipment used to promote flow of materials in feeder screens and they are also used for compaction applications.
- ▶ The oscillating force is generated by movement of a heavy piston cushioned in air. No metal to metal contact. Springless design.
- ▶ Inexpensive / easy to install and maintenance free.
- ▶ Can be used in hazardous or explosive areas.
- ▶ Self cooling, suitable for temperature upto 200deg. C
- ▶ Characteristics of system can be changed by adding tuning masses.
- ▶ Available in various sizes.



### DIMENSION AND PERFORMANCE DATA

MODEL	A DIA	B	C SQ	D	E	F	G	H BSP	LINEAR FORCE (NEWTON)	FREQUENCY (VPM)	FREE AIR (LPM)
TPO-20	90	56	55	89	10	M10	99	1/8"	80	4200	100
TPO-31	140	60	85	134	12	M12	154	1/4"	150	3000	150
TPO-45	200	95	135	192	9	M16	231	1/2"	400	1500	250

Note: All performance data for TBV, STV, PPK, TPO refers to 4 bar 'g' pressure with the vibrator mounted on a heavy block.



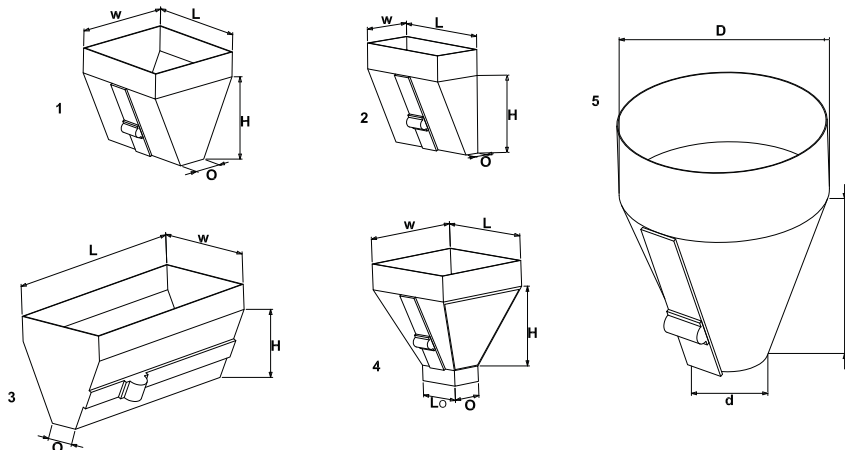
We offer complete solution for flow promotion in hoppers & chutes with vibrators, solenoid valves, sequential timers & other accessories .

## TURBO POWER VIBRATORS FIND APPLICATION WITH:

Packing Machines, Bottling Lines, Paper cutting Machines, Weighing Hoppers, Cement and Foundry Sand Hoppers, Shake Out Tables, Testing Machines, Tile Manufacturing Machines, Vibration and Compaction Tables, Screens Sieves, Vibratory Feeders, Conveyor Scrapers, Chutes and a host of other applications limited only by the imagination.

## WHILE SENDING YOUR ENQUIRY PLEASE SEND US THE FOLLOWING :

- ▶ Brief description of your application and problem faced.
- ▶ Dimension of hopper (see sketch given)
- ▶ Material handled with moisture content, bulk density temperature.
- ▶ Flow problem (Bridging / Arching / Clinging / Flushing)
- ▶ Type of environment (Dusty / Humid / Corrosive / Explosive / Sanitary etc.)
- ▶ Available power details.
- ▶ Available compressed air details.
- ▶ Anything else you would care to tell us about your application and problem.



For further details & application assistance please contact us:

**Techno Talent Engineering India Pvt. Ltd.**

No. 392, 10th Cross, 4th Phase, Peenya Indl. Area, Bangalore - 560058.

Phone: 080-41170131, 41172312, 28367363, Fax: 080-41492827, Email: [techno\\_talent@vsnl.com](mailto:techno_talent@vsnl.com), [ttmktg@vsnl.net](mailto:ttmktg@vsnl.net)

Website: [www.technotalent.in](http://www.technotalent.in), [www.technotalent.co.in](http://www.technotalent.co.in)